

Customization is available  
Products and specifications are  
subject to be changed without notice

**Optional Feature**

- 2.0-5.0m/79-197inch duplex mast
- 2.0-4.0m/79-157inch full free duplex mast
- 4.3-6.5m/169-256inch triplex mast
- Special carriage and backrest
- Other dimension forks
- Dual drive wheel with fender
- Super elastic tyre
- Non mask tyre
- Cabin
- Heater and air condition
- Fire extinguisher
- Semi-suspension seat or full-suspension seat
- Dual air cleaner or special air cleaner
- Rear working light
- Custom color paint
- Auxiliary hydraulic valve modules
- High-mounted exhaust system
- Middle-mounted exhaust system
- Anti-fire spark exhaust system
- Diesel exhaust gas purifier
- 3-way catalytic muffler
- Lpg swing-down bracket
- Radiator screen
- Sideshifter
- Integrated sideshifter
- Other attachment
- Lpg fuel system (single, dual)



**E-P Equipment Co.,LTD**  
Let's grow together...

[www.ep-ep.com](http://www.ep-ep.com)  
[www.epforklift.com](http://www.epforklift.com)

**China: (Headquarters)**  
**E-P EQUIPMENT CO., LTD**  
No. 121 YongHua Street, Shi Qiao Road, Xia Cheng  
Qu, Hangzhou, China  
Tel: +86-571-28035676/28035633/28035657/28035653  
Fax: +86-571-28035665  
Email: [info@ep-ep.com](mailto:info@ep-ep.com)

**USA:**  
**E-P EQUIPMENT, USA CORP.**  
1770 Campton Road  
Inmam, SC 29349  
Tel: 864-472-2776  
Fax: 864-472-2765  
E-mail: [info@ep-ep.com](mailto:info@ep-ep.com)

**Japan:**  
**E-P EQUIPMENT JAPAN**  
#1052-16-10 Hirao, Inagi-shi  
Tokyo 206-0823 Japan  
Tel: 81-42-3506422  
Fax: 81-42-3506423  
E-mail: [ep-japan@ep-ep.com](mailto:ep-japan@ep-ep.com)

**Korea:**  
**E-P EQUIPMENT KOREA**  
1058-Ra Dong, Buck Yi-Dong,  
Ilsan/Gu, Koyang/Shi, Kyunggi/  
Du, Korea  
Tel: 82-31-9254100  
Fax: 82-31-9254102  
E-mail: [ep@ep-ep.co.kr](mailto:ep@ep-ep.co.kr)



CE  
ISO9000

# Rseries

1.5/1.8/2.0/2.5/3.0/3.5T  
3300/3900/4400/5500/6600/7700lb  
Diesel/Gasoline/LPG



[www.ep-ep.com](http://www.ep-ep.com)  
[www.epforklift.com](http://www.epforklift.com)





# East Power

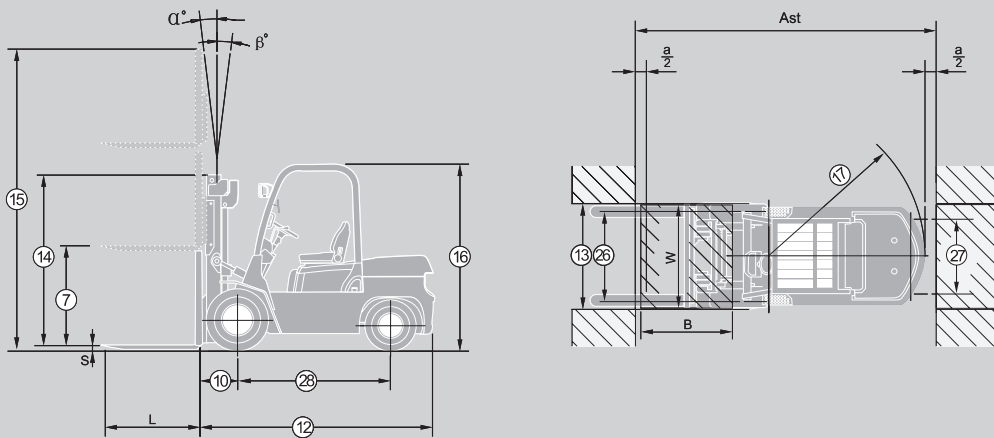
## EP Forklift Truck-R series

### INTRODUCTION

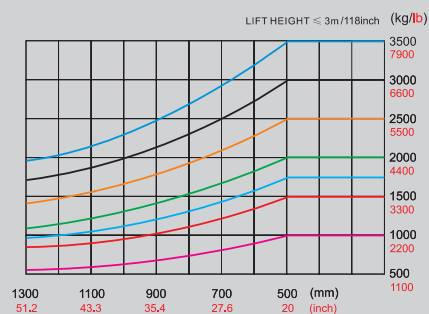
New generated R series forklift comes with great durability and ergonomics. The forklift provides great productivity and comfort during hours of operation. Friendly to the environment, simple servicing, and work-effective, high standard safety control- those are what made it perfect for even the most demanding job.



### DIMENSIONS




### LOAD CHART






**R series 2.0-2.5tdiesel/gasoline/LPG forklift specification**

NO.	Manufacture																												
	1	Basic model	CPCD20N						CPCD25N						CPQD20N						CPQD25N								
2	Type	RW3	RW3B	RW6	RW6B	RW15A	RW32	RW3	RW3B	RW6	RW6B	RW15A	RW32	RW33	RW33B	RW11(-Y)	RW11A(-Y)	RW20(-Y)	RW21(-Y)	RW22(-Y)	RW22A(-Y)	RW11(-Y)	RW11A(-Y)	RW20(-Y)	RW21(-Y)	RW22(-Y)	RW22A(-Y)		
3	Power type	Diesel		Diesel		Diesel		Diesel		Diesel		Diesel		Diesel		Gasoline/LPG		Gasoline/LPG		Gasoline/LPG		Gasoline/LPG		Gasoline/LPG		Gasoline/LPG			
4	Rated capacity	kg	2000		2000		2000		2000		2500		2500		2500		2000		2000		2000		2500		2500		2500		
5	Load center	mm	500		500		500		500		500		500		500		500		500		500		500		500		500		
6	Lift height	mm	3000		3000		3000		3000		3000		3000		3000		3000		3000		3000		3000		3000		3000		
7	Free lift height	mm	150		150		150		150		150		150		150		150		150		150		150		150		150		
8	Fork size	LxWxT	mm	1070*122*40		1070*122*40		1070*122*40		1070*122*40		1070*122*40		1070*122*40		1070*122*40		1070*122*40		1070*122*40		1070*122*40		1070*122*40		1070*122*40			
9	Mast tilt range	F/R	deg	6/12		6/12		6/12		6/12		6/12		6/12		6/12		6/12		6 / 12		6/12		6/12		6/12		6/12	
10	Fork overhang(Wheel center to fork face)	mm	475		475		475		475		475		475		475		475		475		475		475		475		475		
11	Rear overhang	mm	405		405		405		480		480		480		480		405		405		405		480		480		480		
12	Overall dimensions	Length to face of fork	mm	2530		2530		2530		2605		2605		2605		2530		2530		2530		2605		2605		2605			
13		Overall width	mm	1155		1155		1155		1155		1155		1155		1155		1155		1155		1155		1155		1155			
14		Mast lowered height	mm	1985		1985		1985		1985		1985		1985		1985		1985		1985		1985		1985		1985			
15		Mast extended height	mm	4045		4045		4045		4045		4045		4045		4045		4045		4045		4045		4045		4045			
16	Overhead guard height	mm	2120		2120		2120		2120		2120		2120		2120		2120		2120		2120		2120		2120		2120		
17	Turning radius(outside)	mm	2175		2175		2175		2235		2235		2235		2235		2175		2175		2175		2235		2235		2235		
18	Min. right ancle stacking aise width (Add load length and clearance)	mm	2650		2650		2650		2710		2710		2710		2710		2650		2650		2650		2710		2710		2710		
19	Speed	Travel(No load)	km/h	21		20.5		18		21		21		20.5		18		21		20.5		23		19.5		23		19.5	
20		Lifting(Full load)	mm/sec	410		510		500		410		460		580		570		460		580		580		500		500		500	
21		Lowering(Full load)	mm/sec	500		500		500		500		500		500		500		500		500		500		500		500		500	
22	Max.Drawbar pull(full load)	N	18300		25000		23100		18300		18300		25000		23100		18300		25000		23100		18300		25000		23100		
23	Max.Gradeability(full load)	%	25		25		25		25		25		25		25		25		25		25		25		25		25		
24	Tyres	Front	7.00-12-12PR		7.00-12-12PR		7.00-12-12PR		7.00-12-12PR		7.00-12-12PR		7.00-12-12PR		7.00-12-12PR		7.00-12-12PR		7.00-12-12PR		7.00-12-12PR		7.00-12-12PR		7.00-12-12PR		7.00-12-12PR		
25		Rear	6.00-9-10PR		6.00-9-10PR		6.00-9-12PR		6.00-9-10PR		6.00-9-10PR		6.00-9-10PR		6.00-9-10PR		6.00-9-10PR		6.00-9-10PR		6.00-9-10PR		6.00-9-10PR		6.00-9-10PR		6.00-9-10PR		
26	Tread	Front	mm	965		965		965		965		965		965		965		965		965		965		965		965			
27		Rear	mm	970.5		970.5		970.5		970.5		970.5		970.5		970.5		970.5		970.5		970.5		970.5		970.5			
28	Wheelbase	mm	1650		1650		1650		1650		1650		1650		1650		1650		1650		1650		1650		1650		1650		
29	Ground clearance	Lowest	mm	105		105		105		105		105		105		105		105		105		105		105		105			
30		Wheelbase center	mm	150		150		150		150		150		150		150		150		150		150		150		150			
31	Self weight	kg	3440		3440		3440		3765		3765		3765		3765		3440		3440		3440		3765		3765		3765		
32	Weight Distribution Battery	Full load	Front	kg	4815		4815		4815		5530		5530		5530		4815		4815		4815		5530		5530		5530		
Rear			kg	625		625		625		735		735		735		735		625		625		625		735		735			
No load		Front	kg	1640		1640		1640		1560		1560		1560		1560		1640		1640		1640		1560		1560			
		Rear	kg	1800		1800		1800		2205		2205		2205		2205		1800		1800		1800		2205		2205			
36	Battery	Voltage/Capacity(20HR)	V/AH	12/100		12/100		12/100		12/100		12/100		12/100		12 / 60		12 / 60		12 / 60		12 / 60		12 / 60		12 / 60			
37	Engine	Model	A2300		4TNV94L		TD27		4TNE92		A2300		4TNV94L		TD27		4TNE92		4TNE98		4TNE98		H25		H25		H25		
38		Manufacture	CUMMINS		YANMAR		NISSAN		YANMAR		CUMMINS		YANMAR		NISSAN		YANMAR		YANMAR		YANMAR		NISSAN		NISSAN		NISSAN		
39		Rated output/r.p.m.	kw	35/2600		43/2500		44/2500		33/2450		35/2600		43/2500		44/2500		33/2450		44.3/2300		44.3/2300		44/2500		44/2500		36.8/2600	
40		Rated torque/r.p.m.	N · m	150/1600		205/1000		172/1600		136/1600		150/1600		205/1000		172/1600		136/1600		186/1700		186/1700		179/1600		179/1600		152/1600	
41		No. of cylinder	4		4		4		4		4		4		4		4		4		4		4		4		4		
42		Bore*Stroke	mm	88x94		94x110		96x92		92x100		88x94		94x110		96x92		92x100		98x110		98x110		92x93		92x93		87x83	
43		Displacement	cc	2300		3054		2663		2659		2300		3054		2663		2659		3319		3319		2472		2472		1982	
44		Fuel tank capacity	L	60	60	60	60	60	60	60	60	60	60	60	60	60	60	60	60	60	60	60	60	60	60	60	60	60	
45	Manufacture	China		Okamura		China		Okamura		NISSAN		China		China		Okamura		China		China		Okamura		CHINA		NISSAN			
46	Transmissions	Type	Powershift																										
47	Stage/FWD/RVS	1/1		1/1		1/1		1/1		1/1		1/1		1/1		1/1		1/1		1/1		1/1		1/1		1/1			
48	Operating pressure	For attachments	Mpa	17.5	17.5	17.5	17.5	17.5	17.5	17.5	17.5	17.5	17.5	17.5	17.5	17.5	17.5	17.5	17.5	17.5	17.5	17.5	17.5	17.5	17.5	17.5			

1.Special lifting height available(2-stage mast: 2.5m, 2.7m, 3.0m, 3.3m, 3.6m, 4m,4.5m. 3-stage mast:4.3m, 4.5m, 4.8m, 5m, 5.5m, 6m)  
 2.Attachment available. 3.The specification in the table are for standard models only.For further information please contact us.  
 4.Specification are subject to change without notice.


**R series 4400-5500lb diesel/gasoline/LPG forklift specification**

																														
General	NO.	Manufacture	CPCD20N				CPCD25N						CPQD20N					CPQD25N												
	1	Basic model	RW3	RW3B	RW6	RW6B	RW15A	RW32	RW3	RW3B	RW6	RW6B	RW15A	RW32	RW33	RW33B	RW11(-Y)	RW11A(-Y)	RW20(-Y)	RW21(-Y)	RW22(-Y)	RW22A(-Y)	RW11(-Y)	RW11A(-Y)	RW20(-Y)	RW21(-Y)	RW22(-Y)	RW22A(-Y)		
	2	Type	Diesel		Diesel		Diesel		Diesel		Diesel		Diesel		Diesel		Gasoline/LPG		Gasoline/LPG		Gasoline/LPG		Gasoline/LPG		Gasoline/LPG		Gasoline/LPG			
	3	Power type	4400		4400		4400		4400		5500		5500		5500		5500		4400		4400		4400		5500		5500		5500	
	4	Rated capacity	lb	20		20		20		20		20		20		20		20		20		20		20		20		20		
	5	Load center	inch	118		118		118		118		118		118		118		118		118		118		118		118		118		
	6	Lift height	inch	6.1		6.1		6.1		6.1		6.1		6.1		6.1		6.1		6.1		6.1		6.1		6.1		6.1		
	7	Free lift height	inch	42.1*4.8*1.57		42.1*4.8*1.57		42.1*4.8*1.57		42.1*4.8*1.57		42.1*4.8*1.57		42.1*4.8*1.57		42.1*4.8*1.57		42.1*4.8*1.57		42.1*4.8*1.57		42.1*4.8*1.57		42.1*4.8*1.57		42.1*4.8*1.57		42.1*4.8*1.57		
	8	Fork size	LxWxT	6/12		6/12		6/12		6/12		6/12		6/12		6/12		6 / 12		6 / 12		6 / 12		6 / 12		6 / 12		6 / 12		
	9	Mast tilt range	F/R	18.7		18.7		18.7		18.7		18.7		18.7		18.7		18.7		18.7		18.7		18.7		18.7		18.7		
	10	Fork overhang(Wheel center to fork face)	inch	15.9		15.9		15.9		18.9		18.9		18.9		18.9		15.9		15.9		15.9		18.9		18.9		18.9		
	11	Rear overhang	inch	99.6		99.6		99.6		102		102		102		102		99.6		99.6		99.6		102		102		102		
	12	Overall dimensions	Length to face of fork	45.4		45.4		45.4		45.4		45.4		45.4		45.4		45.4		45.4		45.4		45.4		45.4		45.4		
	13		Overall width	78.1		78.1		78.1		78.1		78.1		78.1		78.1		78.1		78.1		78.1		78.1		78.1		78.1		
	14		Mast lowered height	159		159		159		159		159		159		159		159		159		159		159		159		159		
	15		Mast extended height	83.4		83.4		83.4		83.4		83.4		83.4		83.4		83.4		83.4		83.4		83.4		83.4		83.4		
	16	Overhead guard height	inch	85.7		85.7		85.7		88		88		88		88		85.7		85.7		85.7		88		88		88		
	17	Turning radius(outside)	inch	104		104		104		107		107		107		107		104		104		104		107		107		107		
	18	Min. right andle stacking aisie width (Add load length and clearance)	inch	13		12.7		11		13		13		12.7		11		13		12.7		11		13		12.7		11		
	19	Speed	Travel(No load)	16.1		20.1		20		16.1		18.1		22.8		22.4		18.1		22.8		22.8		22.4		22.4		22.4		
	20		Lifting(Full load)	22.4		22.4		22.4		22.4		22.4		22.4		22.4		22.4		22.4		22.4		22.4		22.4		22.4		
	21		Lowering(Full load)	18300		25000		23100		18300		18300		25000		23100		18300		25000		23100		18300		25000		23100		
	22	Max.Drawbar pull(full load)	N	25		25		25		25		25		25		25		25		25		25		25		25		25		
	23	Max.Gradeability(full load)	%	7.00-12-12PR		7.00-12-12PR		7.00-12-12PR		7.00-12-12PR		7.00-12-12PR		7.00-12-12PR		7.00-12-12PR		7.00-12-12PR		7.00-12-12PR		7.00-12-12PR		7.00-12-12PR		7.00-12-12PR		7.00-12-12PR		
	24	Tyres	Front	6.00-9-10PR		6.00-9-10PR		6.00-9-10PR		6.00-9-10PR		6.00-9-10PR		6.00-9-10PR		6.00-9-10PR		6.00-9-10PR		6.00-9-10PR		6.00-9-10PR		6.00-9-10PR		6.00-9-10PR		6.00-9-10PR		
	25		Rear	37.9		37.9		37.9		37.9		37.9		37.9		37.9		37.9		37.9		37.9		37.9		37.9		37.9		
	26	Tread	Front	38.2		38.2		38.2		38.2		38.2		38.2		38.2		38.2		38.2		38.2		38.2		38.2		38.2		
	27		Rear	64.9		64.9		64.9		64.9		64.9		64.9		64.9		64.9		64.9		64.9		64.9		64.9		64.9		
	28	Wheelbase	inch	4.1		4.1		4.1		4.1		4.1		4.1		4.1		4.1		4.1		4.1		4.1		4.1		4.1		
	29	Ground clearance	Lowest	5.9		5.9		5.9		5.9		5.9		5.9		5.9		5.9		5.9		5.9		5.9		5.9		5.9		
	30		Wheelbase center	7600		7600		7600		7600		8300		8300		8300		8300		7600		7600		7600		8300		8300		
	31	Self weight	lb	10600		10600		10600		10600		12200		12200		12200		12200		10600		10600		10600		12200		12200		
	32	Weight Distribution Battery	Full load	Front	1400		1400		1400		1600		1600		1600		1600		1400		1400		1400		1400		1400			
	33			Rear	3600		3600		3600		3400		3400		3400		3400		3400		3400		3400		3400		3400		3400	
	34		No load	Front	4000		4000		4000		4900		4900		4900		4900		4000		4000		4000		4900		4900		4900	
	35			Rear	12/100		12/100		12/100		12/100		12/100		12/100		12/100		12 / 60		12 / 60		12 / 60		12 / 60		12 / 60		12 / 60	
	36	Battery	Voltage/Capacity(20HR)	A2300		4T9V94L		TD27		4TNE92		A2300		4T9V94L		TD27		4TNE98		4TNE98		H25		H25		H20		K21		
	37	Engine	Model	CUMMINS		YANMAR		NISSAN		YANMAR		CUMMINS		YANMAR		NISSAN		YANMAR		YANMAR		NISSAN		NISSAN		NISSAN		NISSAN		
	38		Manufacture	47/2600		58/2500		59/2500		44.2/2450		47/2600		58/2600		59/2600		44.2/2450		59.4/2300		59.4/2300		59/2500		59/2500		49.3/2600		
	39		Rated output/r.p.m.	205/1000		172/1600		136/1600		150/1600		205/1000		150/1600		136/1600		186/1700		186/1700		179/1600		179/1600		152/1600		152/1600		
	40		Rated torque/r.p.m.	4		4		4		4		4		4		4		4		4		4		4		4		4		
	41		No. of cylinder	3.5*3.7		3.7*4.3		3.8*3.6		3.6*3.9		3.5*3.7		3.7*4.3		3.8*3.6		3.6*3.9		3.9*4.3		3.9*4.3		3.6*3.7		3.6*3.7		3.43*3.27		
	42		Bore*Stroke	2300		3054		2663		2659		3300		3300		2659		3319		3319		2427		2427		1982		2488		
	43		Displacement	60		60		60		60		60		60		60		60		60		60		60		60		60		
	44	Fuel tank capacity	China		Okamura		China		Okamura		NISSAN		China		China		Okamura		CHINA		NISSAN		CHINA		CHINA		CHINA			
	45	Manufacture	Powershift																											
	46	Transmissions	Type																											
	47	Stage/FWD/RVS	1/1		1/1		1/1		1/1		1/1		1/1		1/1		1/1		1/1		1/1		1/1		1/1		1/1			
	48	Operating pressure	For attachments	17.5		17.5		17.5		17.5		17.5		17.5		17.5		17.5		17.5		17.5		17.5		17.5		17.5		

1.Special lifting height available(2-stage mast: 98.4inch, 106inch, 118inch, 130inch, 157inch,177inch. 3-stage mast:169inch, 177inch, 189inch, 197inch, 217inch, 236inch)  
 2.Attachment available. 3.The specification in the table are for standard models only.For further information please contact us.  
 4.Specification are subject to change without notice.



**R series 3.0-3.5t diesel/gasoline/LPG forklift specification**


																							
General	NO.	Manufacture		CPCD30N					CPCD35N					CPQD30N				CPQD35N					
	1	Basic model																					
	2	Type			RW6	RW6B	RW15A	RW33	RW33B	RW6	RW6B	RW15A	RW33	RW33B	RW11(-Y)	RW11A(-Y)	RW22(-Y)	RW22A(-Y)	RW11(-Y)	RW11A(-Y)	RW22(-Y)	RW22A(-Y)	
	3	Power type			Diesel		Diesel		Diesel		Diesel		Diesel		Gasoline/LPG		Gasoline/LPG		Gasoline/LPG		Gasoline/LPG		
	4	Rated capacity	kg		3000		3000		3000		3500		3500		3500		3000		3000		3500		3500
5	Load center	mm		500		500		500		500		500		500		500		500		500		500	
Characteristics and Dimensions	6	Lift height	mm		3000		3000		3000		3000		3000		3000		3000		3000		3000		
	7	Free lift height	mm		155		155		155		155		155		155		155		155		155		
	8	Fork size	L*W*T	mm		1070*130*45		1070*130*45		1070*130*45		1070*140*45		1070*140*45		1070*130*45		1070*130*45		1070*140*45		1070*140*45	
	9	Mast tilt range	F/R	deg		6/12		6/12		6/12		6/12		6/12		6/12		6/12		6/12		6/12	
	10	Fork overhang(Wheel center to fork face)	mm		480		480		480		485		485		480		480		485		485		
	11	Rear overhang	mm		510		510		510		555		555		510		510		555		555		
	12	Overall dimensions	Length to face of fork	mm		2750		2750		2750		2800		2800		2750		2750		2800		2800	
	13		Overall width	mm		1225		1225		1225		1225		1225		1225		1225		1225		1225	
	14		Mast lowered height	mm		2010		2010		2010		2160		2160		2160		2160		2160		2160	
	15		Mast extended height	mm		4140		4140		4140		4140		4140		4140		4140		4140		4140	
16	Overhead guard height	mm		2150		2150		2150		2150		2150		2150		2150		2150		2150			
17	Turning radius(outside)	mm		2375		2375		2375		2415		2415		2375		2375		2415		2415			
18	"Min. right angle stacking aisle width (Add load length and clearance)"	mm		2855		2855		2855		2900		2900		2855		2855		2900		2900			
Performance	19	Speed	Travel(No load)	km/h		19		18		19		19		21.5		19.5		21.5		19.5			
	20		Lifting(Full load)	mm/sec		460		460		460		360		360		450		450		350			
	21		Lowering(Full load)	mm/sec		500		500		500		500		500		450		500		500			
	22	Max.Drawbar pull(full load)	N		27000		23100		27000		23100		27000		23600		24100		23600		24100		
23	Max.Gradeability(full load)	%		25		25		25		25		25		20		20		20		20			
Chassis	24	Tyres	Front	28*9-15-12PR		28*9-15-12PR		28*9-15-12PR		28*9-15-12PR		28*9-15-12PR		28*9-15-12PR		28*9-15-12PR		28*9-15-12PR		28*9-15-12PR			
	25		Rear	6.50-10-10PR		6.50-10-10PR		6.50-10-10PR		6.50-10-10PR		6.50-10-10PR		6.50-10-10PR		6.50-10-10PR		6.50-10-10PR		6.50-10-10PR			
	26	Tread	Front	mm		1005		1005		1005		1005		1005		1005		1005		1005			
	27		Rear	mm		973.5		973.5		973.5		973.5		973.5		973.5		973.5		973.5			
	28	Wheelbase	mm		1760		1760		1760		1760		1760		1760		1760		1760		1760		
	29	Ground clearance	Lowest	mm		130		130		130		130		130		130		130		130			
30	Wheelbase center		mm		175		175		175		175		175		175		175		175				
Weight	31	Self weight	kg		4255		4255		4255		4555		4555		4255		4255		4555				
	32	Weight Distribution	Full load	Front	kg		6480		6480		7195		7195		6480		6480		7195				
	33			Rear	kg		775		775		860		860		775		775		860				
	34		No load	Front	kg		1765		1765		1890		1890		1765		1765		1890				
	35			Rear	kg		2490		2490		2665		2665		2490		2490		2665				
Power and transmission	36	Battery	Voltage/Capacity(20HR)	V/AH	12/100		12/100		12/100		12/100		12/100		12 / 60		12 / 60		12 / 60				
	37	Engine	Model	4TNN94L		TD27		4TNE98		4TNN94L		TD27		4TNE98		H25		H25		K25			
	38		Manufacture	YANMAR		NISSAN		YANMAR		YANMAR		NISSAN		YANMAR		NISSAN		NISSAN		NISSAN			
	39		Rated output/r.p.m.	kw		43/2500		44/2500		44.3/2300		43/2500		45/2500		44/2500		44/2500		37/2500			
	40		Rated torque/r.p.m.	N · m		205/1000		172/1600		186/1700		205/1000		172/1600		186/1700		179/1600		179/1600			
	41		No. of cylinder			4		4		4		4		4		4		4		4			
	42		Bore*Stroke	mm		94*110		96*92		98*110		94*110		96*92		98*110		92*93		92*93			
	43		Displacement	cc		3054		2663		3319		3054		2663		3319		2472		2472			
	44		Fuel tank capacity	L		70		70		70		70		70		70		70		70			
	45		Manufacture			China		Okamura		NISSAN		China		Okamura		China		NISSAN		China			
46	Type				Powershift		Powershift		Powershift		Powershift		Powershift		Powershift		Powershift		Powershift				
47	Stage/FWD/RVS			1/1		1/1		1/1		1/1		1/1		1/1		1/1		1/1					
48	Operating pressure	For attachments	Mpa		17.5		17.5		17.5		17.5		17.5		17.5		17.5		17.5				

1.Special lifting height available(2-stage mast: 2.5m, 2.7m, 3.0m, 3.3m, 3.6m, 4m,4.5m. 3-stage mast:4.3m, 4.5m, 4.8m, 5m, 5.5m, 6m)

2.Attachment available. 3.The specification in the table are for standard models only.For further information please contact us.

4.Specification are subject to change without notice.

**R series 6600-7700lb diesel/gasoline/LPG forklift specification**

																						
General	NO.	Manufacture		CPCD30N					CPCD35N					CPQD30N				CPQD35N				
	2	Type		RW6	RW6B	RW15A	RW33	RW33B	RW6	RW6B	RW15A	RW33	RW33B	RW11(-Y)	RW11A(-Y)	RW22A	RW22A(-Y)	RW11(-Y)	RW11A(-Y)	RW22A	RW22A(-Y)	
	3	Power type		Diesel		Diesel	Diesel		Diesel		Diesel	Diesel		Gasoline/LPG		Gasoline/LPG		Gasoline/LPG		Gasoline/LPG		
	4	Rated capacity	lb	6600		6600	6600		7700		7700	7700		6600		6600		7700		7700		
	5	Load center	inch	20		20	20		20		20	20		20		20		20		20		
Characteristics and Dimensions	6	Lift height	inch	118		118	118		118		118	118		118		118		118		118		
	7	Free lift height	inch	6.1		6.1	6.1		6.1		6.1	6.1		6.1		6.1		6.1		6.1		
	8	Fork size	L*W*T	inch	42.1*5.12*1.78		42.1*5.12*1.78	42.1*5.12*1.78		42.1*5.51*1.77		42.1*5.51*1.77	42.1*5.51*1.77		42.1*5.12*1.78		42.1*5.12*1.78		42.1*5.51*1.77		42.1*5.51*1.77	
	9	Mast tilt range	F/R	deg	6/12		6/12	6/12		6/12		6/12	6/12		6/12		6/12		6/12		6/12	
	10	Fork overhang(Wheel center to fork face)		inch	18.9		18.9	18.9		19.1		19.1	19.1		18.9		18.9		19.1		19.1	
	11	Rear overhang		inch	20.1		20.1	20.1		21.9		21.9	21.9		20.1		20.1		21.9		21.9	
	12	Overall dimensions	Length to face of fork	inch	108		108	108		110		110	110		108		108		110		110	
	13		Overall width	inch	48.2		48.2	48.2		48.2		48.2	48.2		48.2		48.2		48.2		48.2	
	14		Mast lowered height	inch	79.1		79.1	79.1		85.0		85.0	85.0		85.0		85.0		85.0		85.0	
	15		Mast e*ttended height	inch	163		163	163		163		163	163		163		163		163		163	
16	Overhead guard height		inch	84.6		84.6	84.6		84.6		84.6	84.6		84.6		84.6		84.6		84.6		
17	Turning radius(outside)		inch	93.5		93.5	93.5		95.1		95.1	95.1		93.5		93.5		95.1		95.1		
18	"Min. right anld stacking aisie width (Add load length and clearance)"		inch	112		112	112		114		114	114		112		112		114		114		
Performance	19	Speed	Travel(No load)	mile/h	11.8		11.2	11.8		11.8		11.2	11.8		13.4	12.1	13.4	12.1	13.4	12.1	13.4	12.1
	20		Lifting(Full load)	inch/sec	18.1		18.1	18.1		14.2		14.2	14.2		17.7	17.7	17.7	17.7	13.8	13.8	13.8	13.8
	21		Lowering(Full load)	inch/sec	19.7		19.7	19.7		19.7		19.7	19.7		17.7	19.7	17.7	19.7	19.7	19.7	19.7	19.7
	22	Ma*.Drawbar pull(full load)		N	27000		23100	27000		27000		23100	27000		23600	24100	23600	24100	23600	24100	23600	24100
23	Ma*.Gradeability(full load)		%	25		25	25		25		25	25		20		20		20		20		
Chassis	24	Tyres	Front		28*9-15-12PR		28*9-15-12PR	28*9-15-12PR		28*9-15-12PR		28*9-15-12PR	28*9-15-12PR		28*9-15-12PR		28*9-15-12PR		28*9-15-12PR			
	25		Rear		6.50-10-10PR		6.50-10-10PR	6.50-10-10PR		6.50-10-10PR		6.50-10-10PR	6.50-10-10PR		6.50-10-10PR		6.50-10-10PR		6.50-10-10PR			
	26	Tread	Front	inch	39.6		39.6	39.6		39.6		39.6	39.6		39.6		39.6		39.6			
	27		Rear	inch	38.3		38.3	38.3		38.3		38.3	38.3		38.3		38.3		38.3			
	28	Wheelbase		inch	69.3		69.3	69.3		69.3		69.3	69.3		69.3		69.3		69.3			
	29	Ground clearance	Lowest	inch	5.12		5.12	5.12		5.12		5.12	5.12		5.12		5.12		5.12			
30	Wheelbase center		inch	6.89		6.89	6.89		6.89		6.89	6.89		6.89		6.89		6.89				
Weight	31	Self weight		lb	9400		9400	9400		10000		10000	10000		9400		9400		10000		10000	
	32	Weight Distribution	Full load	Front	lb	14300		14300	14300		15800	15800		14300		14300		15800		15800		
	33			Rear	lb	1700		1700	1700		1900	1900		1700		1700		1900		1900		
	34		No load	Front	lb	3900		3900	3900		4200	4200		3900		3900		4200		4200		
	35			Rear	lb	5500		5500	5500		5900	5900		5900		5500		5500		5900		
Power and transmission	36	Battery	Voltage/Capacity(20HR)	V/AH	12/100		12/100	12/100		12/100		12/100	12/100		12 / 60		12 / 60		12 / 60			
	37	Engine	Model		4TNV94L		TD27	4TNE98		4TNV94L		TD27	4TNE98		H25	H25	K25	K25	H25	H25	K25	K25
	38		Manufacture		YANMAR		NISSAN	YANMAR		YANMAR		NISSAN	YANMAR		NISSAN	NISSAN	NISSAN	NISSAN	NISSAN	NISSAN	NISSAN	NISSAN
	39		Rated output/r.p.m.	hp	57.6/2500		59/2500	59.4/2300		57.6/2500		60.3/2500	59.4/2300		59/2500	59/2500	49.6/2500	49.6/2500	59/2500	59/2500	49.6/2500	49.6/2500
	40		Rated torque/r.p.m.	N · m	205/1000		172/1600	186/1700		205/1000		172/1600	186/1700		179/1600	179/1600	179/1600	179/1600	179/1600	179/1600	179/1600	179/1600
	41		No. of cylinder		4		4	4		4		4	4		4	4	4	4	4	4	4	4
	42		Bore*Stroke	mm	3.70*4.33		3.78*3.62	3.86*4.33		3.70*4.33		3.78*3.62	3.86*4.33		3.62*3.66	3.62*3.66	3.62*3.66	3.62*3.66	3.62*3.66	3.62*3.66	3.62*3.66	
	43		Displacement	cc	3054		2663	3319		3054		2663	3319		2472	2472	2488	2488	2472	2472	2488	
	44		Fuel tank capacity	L	70	70	70	70	70	70	70	70	70	70	70	70	70	70	70	70	70	
	45		Manufacture		China	Okamura	NISSAN	China	Okamura	China	Okamura	NISSAN	China	Okamura	China	NISSAN	China	NISSAN	China	NISSAN	China	NISSAN
	46		Transmissions	Type		Powershift	Powershift	Powershift	Powershift	Powershift	Powershift	Powershift	Powershift	Powershift	Powershift	Powershift	Powershift	Powershift	Powershift	Powershift	Powershift	
	47	Stage/FWD/RVS			1/1	1/1	1/1	1/1	1/1	1/1	1/1	1/1	1/1	1/1	1/1	1/1	1/1	1/1	1/1	1/1		
48	Operating pressure	For attachments	Mpa	17.5		17.5	17.5		17.5		17.5	17.5		17.5		17.5		17.5				

1.Special lifting height available(2-stage mast: 98.4inch, 106inch, 118inch, 130inch, 157inch,177inch. 3-stage mast:169inch, 177inch, 189inch, 197inch, 217inch, 236inch)

2.Attachment available. 3.The specification in the table are for standard models only.For further information please contact us.

4.Specification are subject to change without notice.

3.0-3.5t R series mast:(pneumatic)

Table with columns: Type, Model, Max. Fork height, Overall height (Lowered, Extended), Free lift (Without backrest, With backrest), Front overhang, Tilt range (FWD, BWD), Capacity (Load capacity at 500mm, Single tire, Double tire). Rows include models like R30/35M250 to N30/35N600.

2.0-2.5t R series mast: (pneumatic)

Table with columns: Type, Model, Max. Fork height, Overall height (Lowered, Extended), Free lift (Without backrest, With backrest), Front overhang, Tilt range (FWD, BWD), Capacity (Load capacity at 19inch, Single tire, Double tire). Rows include models like R25M250 to N25N600.

6600-7700lb R series mast:(pneumatic)

Table with columns: Type, Model, Max. Fork height, Overall height (Lowered, Extended), Free lift (Without backrest, With backrest), Front overhang, Tilt range (FWD, BWD), Capacity (Load capacity at 20 inch, Single tire, Double tire). Rows include models like R30/35M250 to N30/35N600.

4400-5500lb R series mast: (pneumatic)

Table with columns: Type, Model, Max. Fork height, Overall height (Lowered, Extended), Free lift (Without backrest, With backrest), Front overhang, Tilt range (FWD, BWD), Capacity (Load capacity at 20 inch, Single tire, Double tire). Rows include models like R25M250 to N25N600.